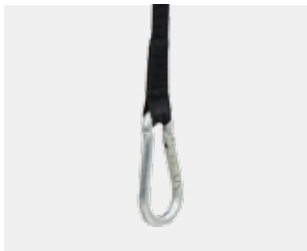


Carolift® 40

A flexible wheelchair hoist for most vehicles.



The Carolift 40 provides excellent reach, even around to the side of the vehicle to pick up a wheelchair from the pavement. At the same time, it is easy to guide a load through narrow openings. The flexible arm is what makes this possible, in essence the arm can be short or long as needed.

The hoist fits in most vehicles and comes with assisted folding to and from storage position.

The Carolift 40 has manual swivel and powered lift, operated via controls on top of the hoist. Its maximum lift capacity is 40 kg.

Quick facts

- Flexible hoist arm (180°)
- Powered lift
- Manual swivel
- Assisted folding
- Height can be adjusted by cutting
- Fits almost all car models
- Suitable for both left and right side installations

Specifications

POWER SUPPLY	12 V
LIFT CAPACITY	40 kg

To guarantee your safety Autoadapt products are designed and tested according to current directives and standards.

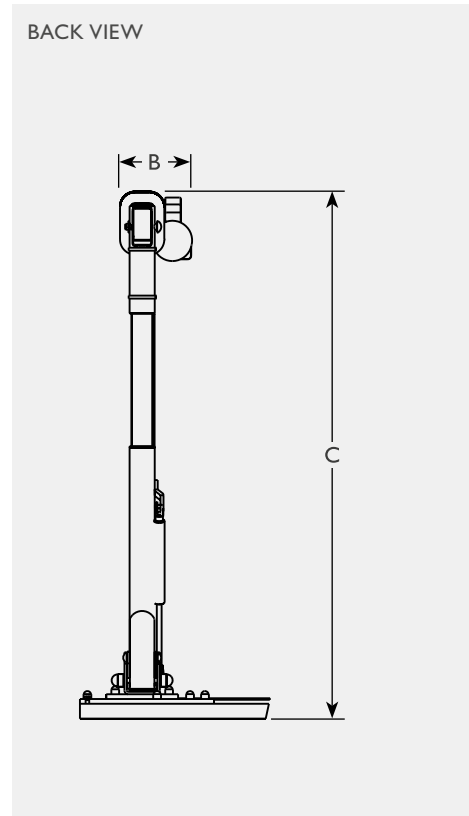
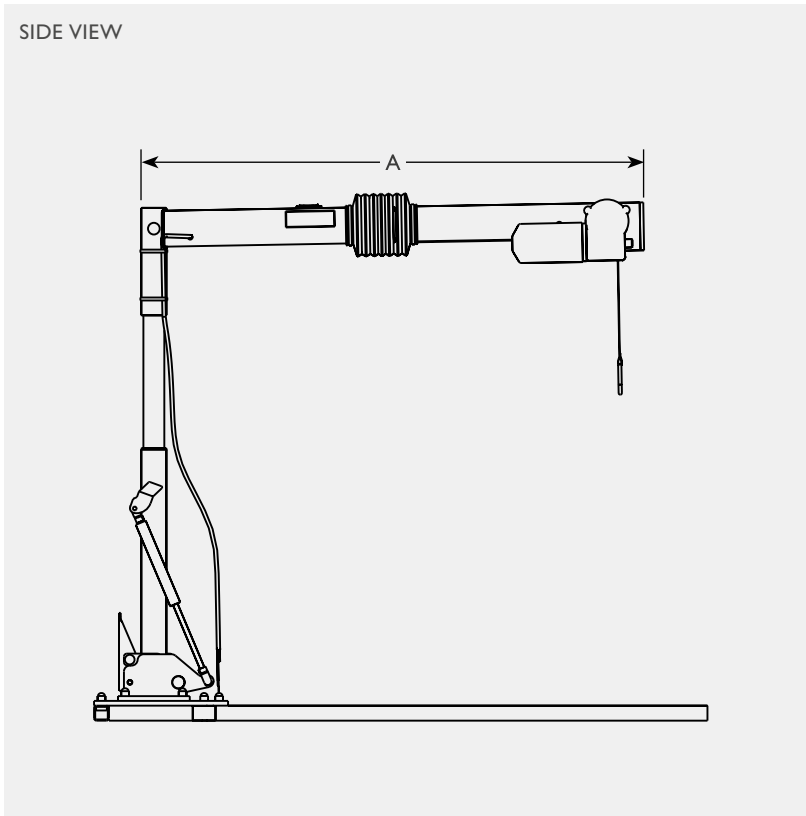
NOTE! Universal mounting bracket is included. Docking devices are sold separately.



Carolift® 40

Dimensions and models

Universal mounting bracket is included.
Requires a docking device to lift a wheelchair.



Docking devices

- 100621** The loop (max 25 kg)
- 101147** Clamping claw (max 25 kg)

- 101148** Claw and T-bar (max 25 kg)
- 101518** for Carony 12"/24"

- 104080** for Carony 16"

See page 64 for illustrations and descriptions.

Carolift 40		Length	Width	Height	Swivel range	Folded length	Folded height	Lift capacity	Unit weight
		A	B	C					
101663	Carolift 40	84	12	68-88*	0-360°	73-93**	17	40	11

All weights and dimensions are given in kilograms and centimetres, and for reference only. *Cut to desired height during installation. **Depends on the height of the lift.

Carolift® 90 / 140

A fixed wheelchair hoist with both powered lift and swivel.



The Carolift 90 and 140 are wheelchair hoists designed to lift mobility devices weighing up to 90 kg and 140 kg into the boot of a vehicle. Swivel and lift is operated via a hand held control.

To achieve a perfect fit this Carolift can be cut in both height and length upon installation. For vehicles with a sloping boot door the hoist can be folded down in between uses.

Quick facts

- Powered lift and swivel
- Foldable
- Height and length can be adjusted by cutting
- Flocked surface treatment provides pleasant grip in both hot and cold weather
- Suitable for both left and right side installations

Specifications

POWER SUPPLY 12 V
LIFT CAPACITY 90 kg / 140 kg

To guarantee your safety Autoadapt products are designed and tested according to current directives and standards.

NOTE! Universal mounting bracket is included. Docking devices are sold separately.

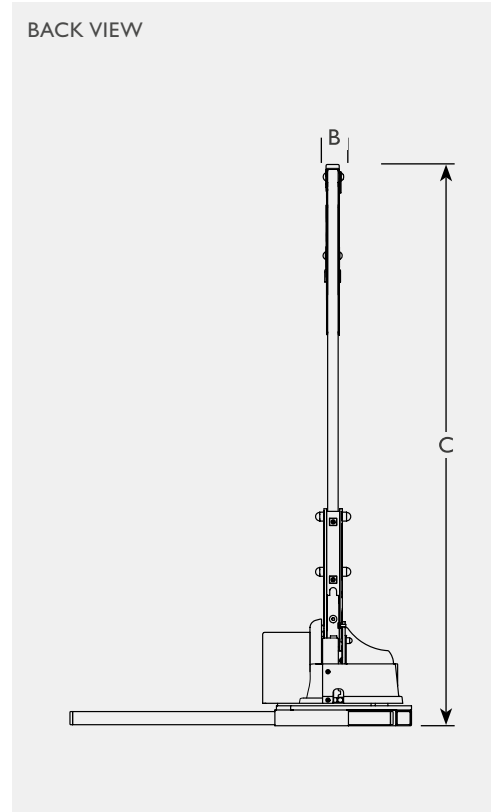
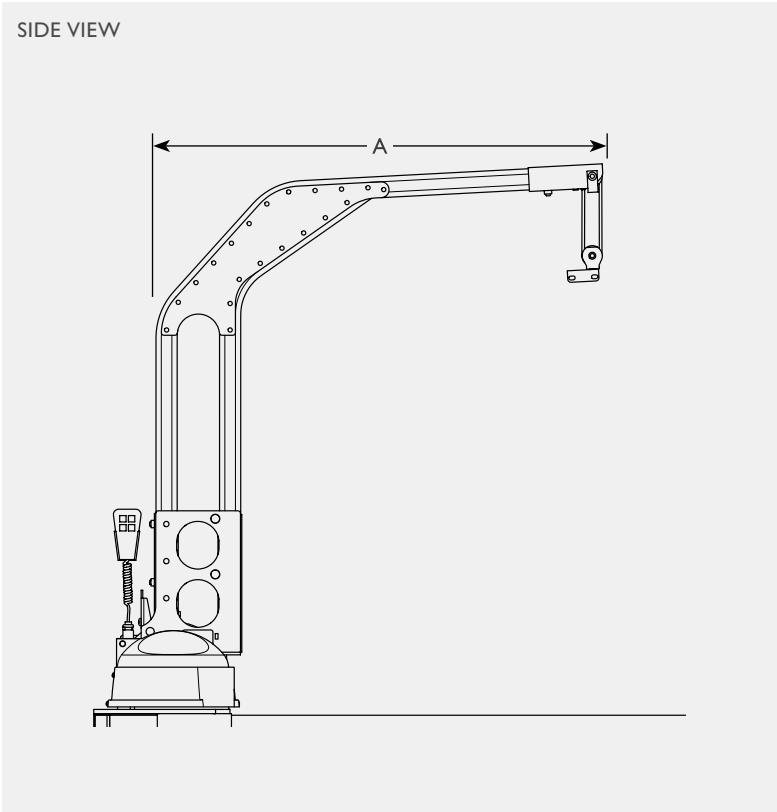




Carolift® 90 / 140

Dimensions and models

Universal mounting bracket is included.
Requires a docking device to lift a wheelchair.
Docking devices are available separately.



Docking devices

- 100621** The loop (max 25 kg)
- 101147** Clamping claw (max 25 kg)
- 101148** Claw and T-bar (max 25 kg)
- 101150** Claw and T-bar (max 90 kg)
- 101518** for Carony 12"/24"
- 104080** for Carony 16"
- 101151** 2 point lift belt (max 90 kg)
- 101152** 4 point lift belt (max 180 kg)
- 101149** C-arm and T-bar (max 180 kg)
- 101666** Pulley for Carolift 90 (max 90 kg)
- 101667** Pulley for Carolift 140 (max 140 kg)

See page 64 for illustrations and descriptions.

Carolift 90 / 140		Length	Width	Height	Swivel range	Folded length	Folded height	Lift capacity	Unit weight
		A	B	C					
100297	Carolift 90	80-109*	4	80-106**	0-186°	141	58	90	15
101018	Carolift 140	83-109*	4	75-105**	0-186°	134	62	140	35

All weights and dimensions are given in kilograms and centimetres, and for reference only. *Cut to desired length during installation. **Cut to desired height during installation.

Carolift® 6000 / 6900

A telescopic wheelchair hoist with both powered lift and swivel for loads up to 181 kg.



Carolift 6000



Carolift 6900



The Carolift 6000 and 6900 are wheelchair hoists designed to lift mobility devices weighing up to 181 kg into the boot of a vehicle. The offset arm gives the hoist the ability to reach around to the side of the vehicle to pick up a wheelchair from the pavement.

This Carolift has powered swivel and lift, operated via a hand-held control. The 6900 model also features a telescopic arm that assists in bypassing narrow door openings or wide bumpers. To achieve a perfect fit these hoists can be cut in both height and length upon installation.

Quick facts

- Offset hoist arm reaches vehicle's side
- Telescopic hoist arm adds flexibility (6900 only)
- Powered lift and swivel
- High lift capacity
- Swivels up to 360°
- Height, length and angle can be adjusted

Specifications

POWER SUPPLY 12 V
 LIFT CAPACITY 181 kg

To guarantee your safety Autoadapt products are designed and tested according to current directives and standards.

NOTE! Docking devices are sold separately.



Vehicle specific mounting brackets available
dealerweb.autoadapt.com



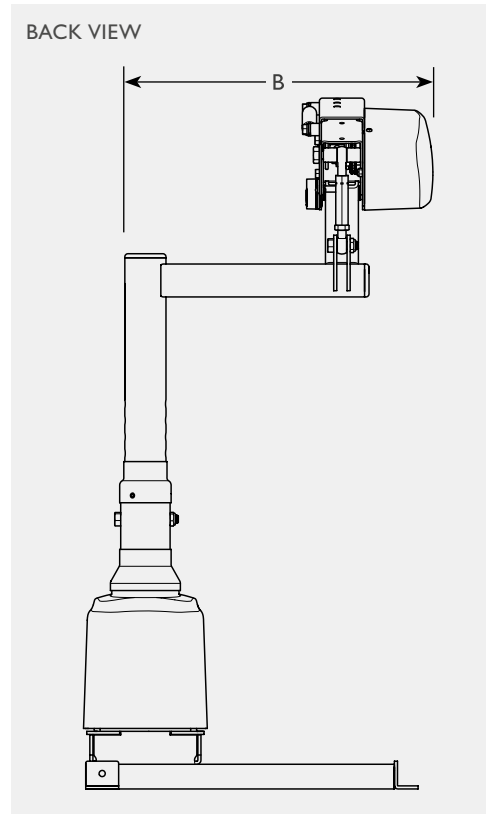
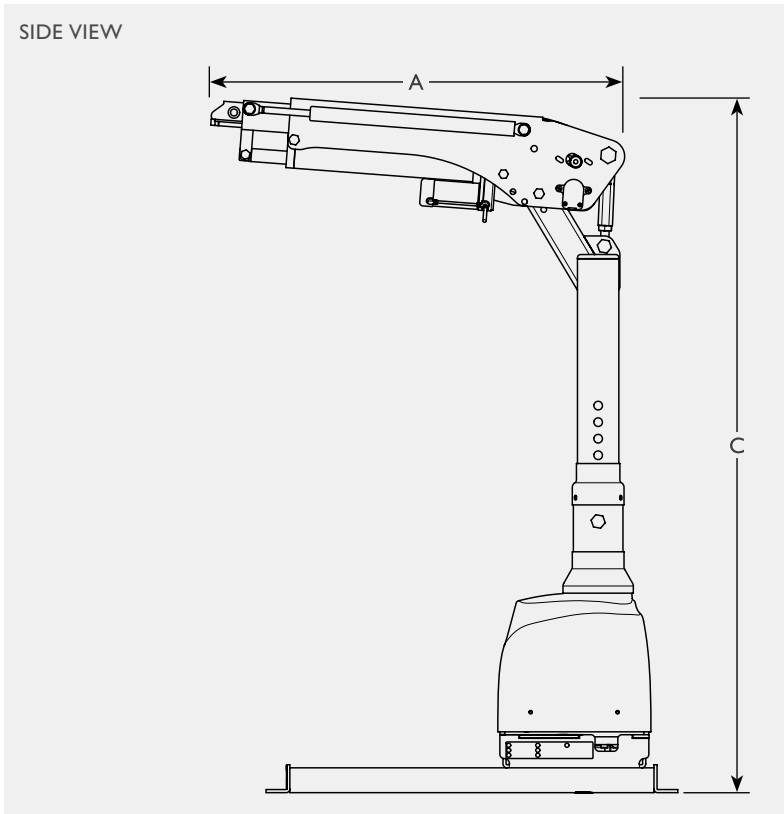
Carolift® 6000 / 6900

Dimensions and models

Requires a mounting bracket (101889) for installation.

Requires a docking device to lift a wheelchair.

Docking devices are available separately.



Docking devices

- 101150** Claw and T-bar (max 90 kg)
- 101151** 2 point lift belt (max 90 kg)
- 101152** 4 point lift belt (max 180 kg)
- 101149** C-arm and T-bar (max 180 kg)
- 101666** Pulley for Carolift 90 (max 90 kg)
- 101667** Pulley for Carolift 140 (max 140 kg)

See page 64 for illustrations and descriptions.

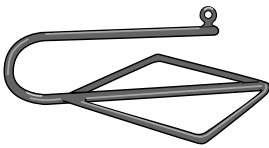
Carolift 6000 / 6900		Installation in vehicle	Length	Width	Height	Telescopic extension	Swivel range	Lift capacity	Unit weight
			A	B	C	D			
101629	Carolift 6000	right	60-83*	54	86-104*	n/a	0-360°	181	36
101630	Carolift 6000	left	60-83*	54	86-104*	n/a	0-360°	181	36
101631	Carolift 6900	right	63-83	53	86-104*	20	0-360°	181	38
101632	Carolift 6900	left	63-83	53	86-104*	20	0-360°	181	38
101889	Universal mounting bracket								

All weights and dimensions are given in kilograms and centimetres, and for reference only. *Determined during installation.

Carolift docking devices

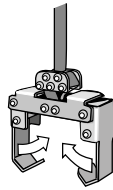
Hoisting and stowing

Manual wheelchair (Carolift 40, Carolift 90, Carolift 140)



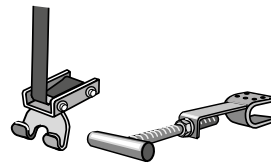
The loop
For a manual wheelchair.
Carolift 90/140 only. Max 25 kg.

100621 The loop



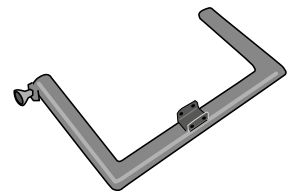
Clamping claw
For a folded manual wheelchair,
placed vertically. Max 25 kg.

101147 Clamping claw



Claw and T-bar
For a folded manual wheelchair,
placed horizontally. Max 25 kg.

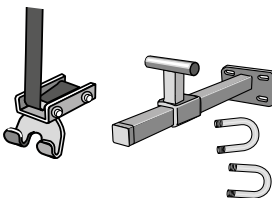
101148 Claw and T-bar



Carony docking device
For a Carony chassis.

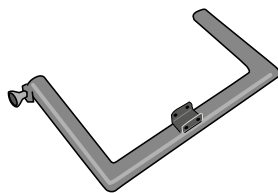
101518 for Carony 12"/24"
104080 for Carony 16"

Powered wheelchair / scooter (Carolift 90, Carolift 140, Carolift 6000, Carolift 6900)



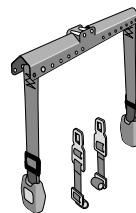
Claw and T-bar
For a powered wheelchair/scooter,
without the seat. Max 90 kg.

101150 Claw and T-bar



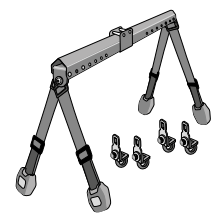
Carony docking device
For a Carony Go chassis.

101518 Carony docking device



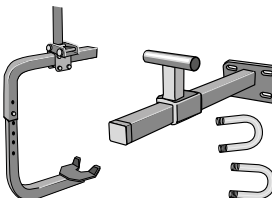
2 point lift belt
For all types of mobility devices.
Max 90 kg.

101151 2 point lift belt



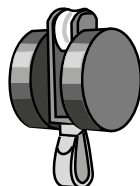
4 point lift belt
For all types of mobility devices.
Max 180 kg.

101152 4 point lift belt



C-arm and T-bar
For a powered wheelchair/scooter,
with the seat. Max 180 kg.

101149 C-arm and T-bar



Pulley
A loop for optional docking
devices. Max 90/140 kg.

101666 Pulley for Carolift 90
101667 Pulley for Carolift 140