

6-Way Base

A powered seat base that rotates, lift and moves the driver’s seat backwards to facilitate transferring inside the vehicle.



6-Way Base, short, left



Footrest

The 6-Way Base is a solution that makes it possible to make the transfer from wheelchair to driver’s seat inside the vehicle. The seat can be moved backwards and swivelled inwards as well as be adjusted in height. This allows you to make an unobstructed downwards transfer, both to and from the wheelchair. As an added benefit, the adjustment options makes it easy to set the perfect position for safe driving.

Quick facts

- Powered adjustment in six directions
- Adjustable comfort position
- Crash test approved lower anchoring points for seat belt on the base
- Protective covers
- Supports OEM seat electrical functions
- Optional foot rest


Specifications

POWER SUPPLY 12 V

To guarantee your safety Autoadapt products are designed and tested according to current directives and standards.

NOTE! We recommend using slide rails when mounting our Autoadapt seats on the 6-Way Base. This will achieve the best comfort and installation flexibility.

NOTE! When installing the 6-Way Base we recommend using our vehicle specific brackets. We have mounting brackets for both floors and seats for the most common vehicle types. To find them check the Vehicles tab on Dealerweb.

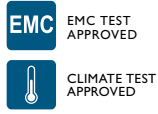
 Vehicle specific mounting brackets available
dealerweb.autoadapt.com

SEAT COMPATIBILITY				
BEV	BEV KIDS	COMPACT	RECARO	GS
✓ ⁴	✓ ⁴	✓ ⁴	✓ ⁴	✓ ¹

1. requires adapter plate 4. requires Slide rails

CARONY COMPATIBILITY			ACCESSORIES COMPATIBILITY		
CARONY	CARONY CLASSIC	CARONY GO	TILDA TILT	CARO-SLIDE	SLIDE RAILS
✗	✗	✗	✗	built in	✓ ⁵

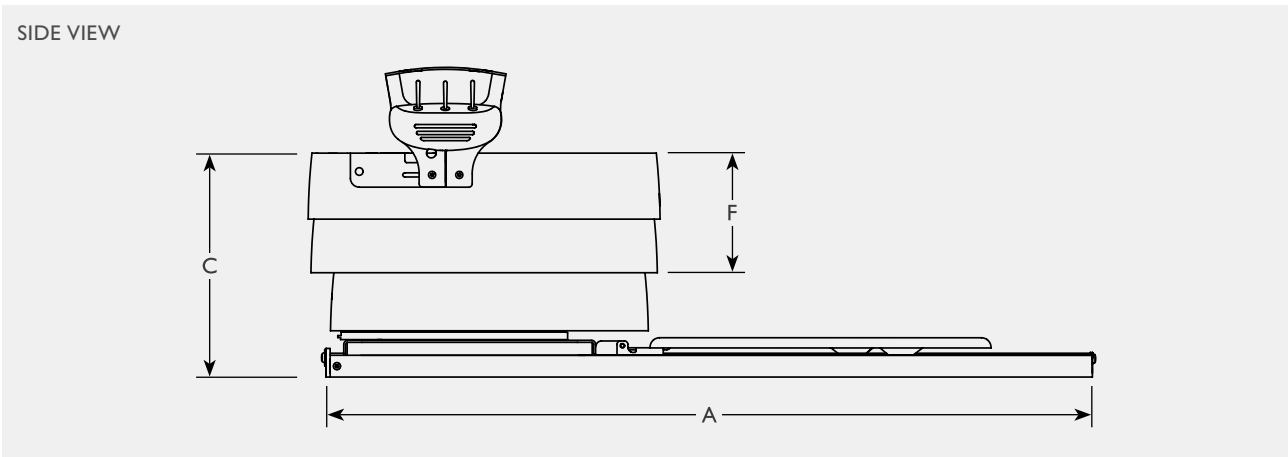
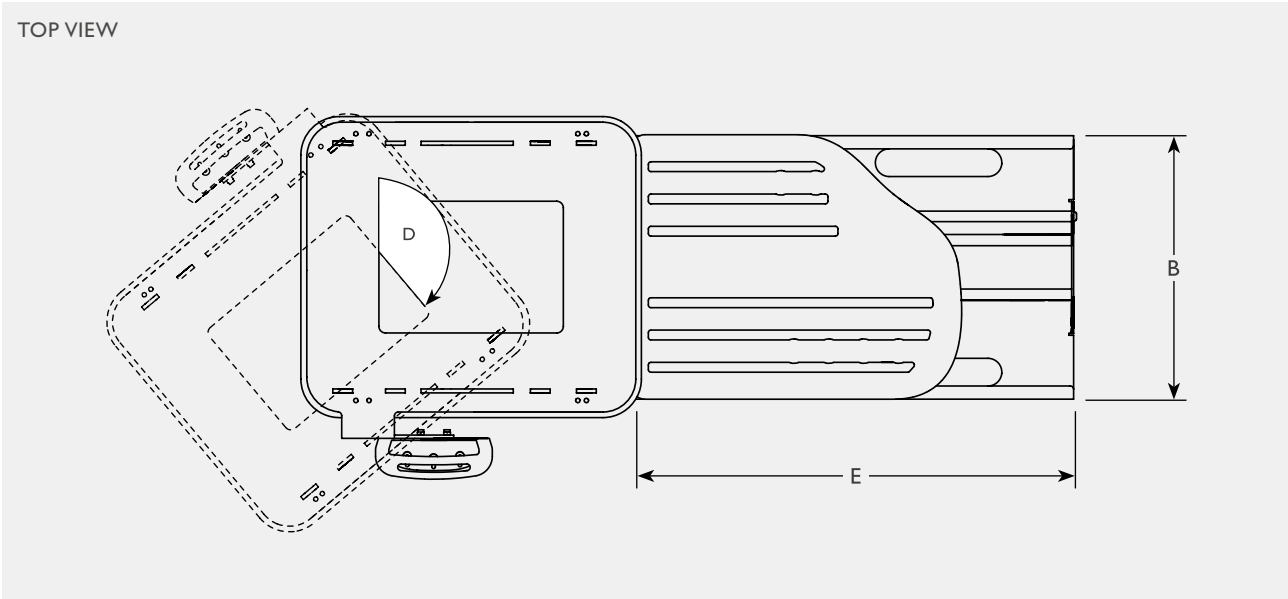
5. required for installation with non-OEM seats



6-Way Base

Dimensions and models

Requires a mounting bracket (Dealerweb) for installation.
Recommended accessories: Footrest



6-Way Base		Installation in vehicle	Length	Width	Height	Swivel range	Lengthwise movement	Vertical travel	Weight capacity	Unit weight
			A	B	C	D	E	F		
102463	6-Way Base, short	left	92.6	40	17-35	0-140°	51	18	150	54
102464	6-Way Base, short	right	92.6	40	17-35	0-140°	51	18	150	54
102465	6-Way Base, long	left	112.6	40	17-35	0-140°	71	18	150	56
102466	6-Way Base, long	right	112.6	40	17-35	0-140°	71	18	150	56
102513	Universal mounting bracket*	floor								
102515	Universal mounting bracket OEM seat*	seat								
102467	Footrest	left								
102468	Footrest	right								

All weights and dimensions are given in kilograms and centimetres, and for reference only. Weight capacity refers to the total weight of the seat, accessories and user.
*Check Dealerweb for vehicle specific mounting brackets before ordering the universal mounting bracket