

Joey Lift

A small platform lift for easy lifting and stowing of a mobility device.



Joey Lift with barrier belt kit and wheel chock kit



At the touch of a button the Joey Lift both lifts and stows an unoccupied scooter or powered wheelchair inside a vehicle. Ride the mobility device onto the platform, step off and the Joey Lift will take it from there. The ergonomic hand control with easy grip cover and one button operation, makes the whole process simple and convenient.

To secure the wheelchair to the barrier and prevent it from moving around during transport use the optional Barrier Belt Kit.

The new compact design fits in an additional 35 vehicle models, see Dealerweb for more info.

Quick facts

- High lift capacity
- Easy and secure stowing of mobility device
- Crash tested barrier system
- Illuminated platform and hand control
- Optional barrier belt kit

Specifications

POWER SUPPLY	12 V
LIFT CAPACITY	159 kg

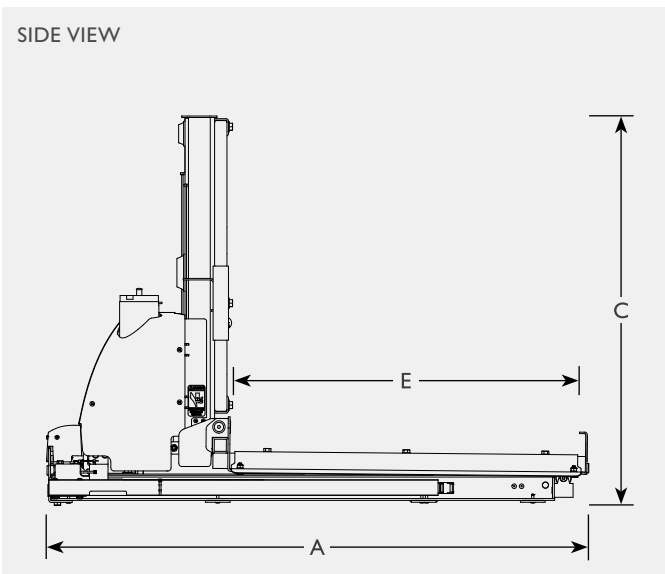
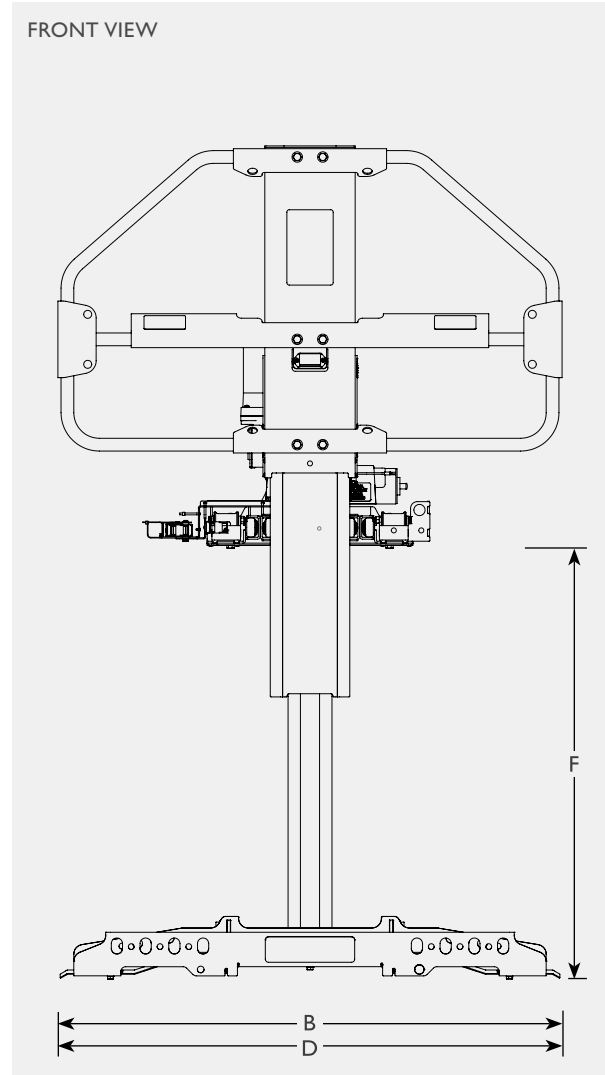
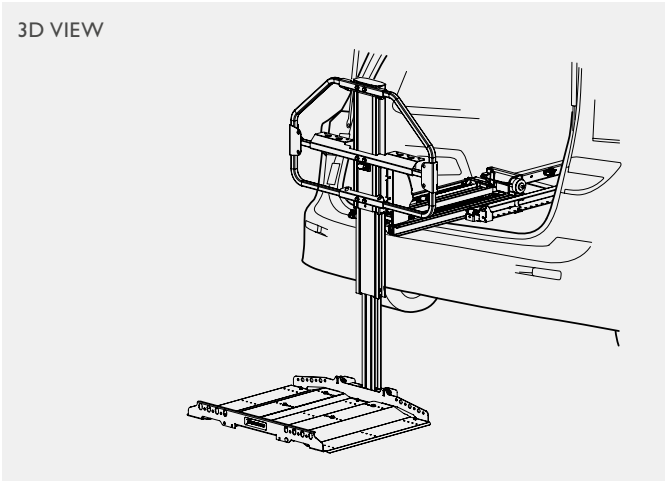
To guarantee your safety Autoadapt products are designed and tested according to current directives and standards.



Joey Lift

Dimensions and models

Recommended accessories: Barrier belt kit



Joey Lift		Length	Width	Height	Clear platform width	Clear platform length	Max. floor to ground	Lift capacity	Unit weight
Joey Lift		A	B	C	D	E	F		
104016	Joey Lift	112	99-109*	80	99-109	71	87	159	92
104017	Wheel chock kit								
104049	Barrier belt kit								

All weights and dimensions are given in kilograms and centimetres, and for reference only. *Depends on the configured platform width.