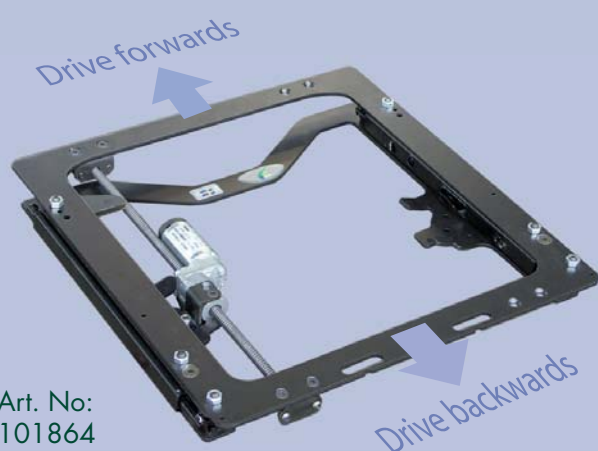


# CAROSLIDE™

## Powered lengthwise seat adjustment



Art. No:  
101864

Height:	41 mm
Stroke	240 mm
Maximum user weight:	150 kg
Width	445 mm
Length	450 mm
Fuse	7,5 A
Crash tested and CE-marked	



## Dealer info about the Caroslide

- Caroslide provides a powered lengthwise seat adjustment of 240 mm.

- Caroslide installed under a Turnout 2/2E

Maximized foot space when swivelling passed the B-pillar.

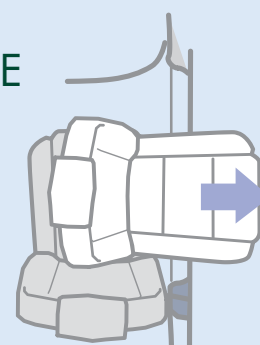
The Caroslide should only be used with a Turnout 2/2E. 19 mm is added to the height with a Turnout 2 and only 4 mm is added with a Turnout 2E, compared to a Turnout 4/4E (which has rails that won't be needed).



*(For ability to pull the seat out over the sill, add slide rails #100505 under the seat.)*

- Caroslide can also be installed on top of a Turnout 2/2E or 4/4E

This installation provides, besides the comfort adjustment inside the car, also a powered ability to drive the seat out over the sill.



- For a BEV seat or a Recaro seat

This is an excellent combination for adding a powered adjustment feature for the seat alone.

- Bolts, nuts and wiring included