



2007 International Application Guide • Volume 6 • Issue 1



L800X SWING-A-WAY SERIES™

L800X Swing-A-Way Series™ Models

L800X

Useable Platform:
29" x 36.25"
(74 cm x 92 cm)

L800XE

Useable Platform*:
26" x 46.25"
(66 cm x 117 cm)

L800XV

Useable Platform:
29" x 36.25"
(74 cm x 92 cm)

L800XEV

Useable Platform*:
26" x 46.25"
(66 cm x 117 cm)

L800XVA

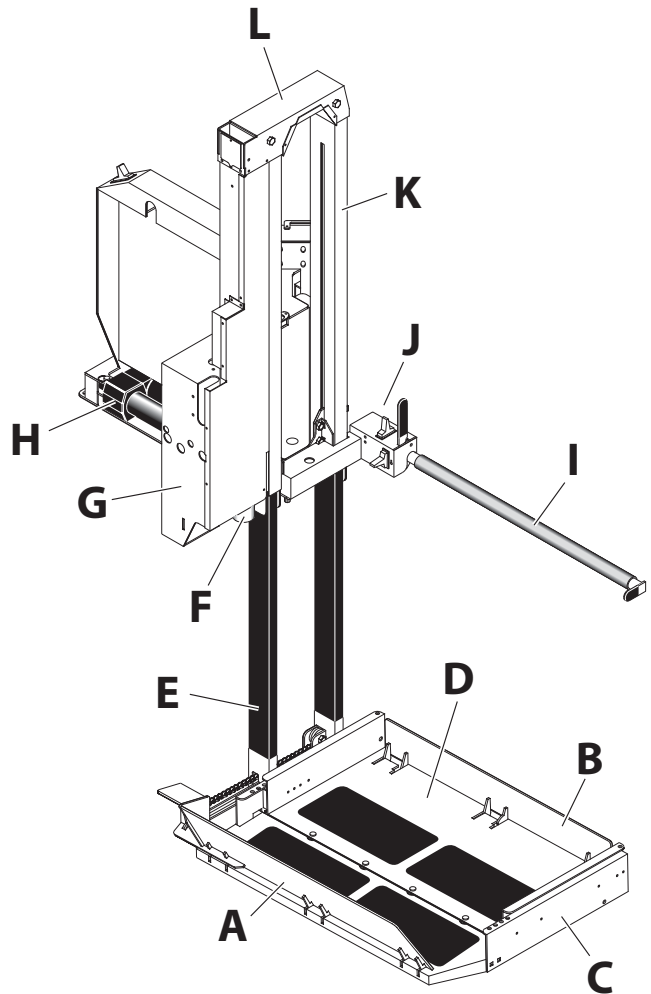
Useable Platform:
29" x 36.25"
(74 cm x 92 cm)

L800XEVA

Useable Platform*:
26" x 46.25"
(66 cm x 117 cm)

L800XR L800XRV

Useable Platform:
29" x 36.25"
(74 cm x 92 cm)
Reverse Model for Right Hand
Drive, Front Post / B-pillar



* Platform width dimension measured at the entrance of the platform. The farthest part inward of the Extended Platform (E).

Explanations of abbreviations:

X = Front Post / B-pillar

E = Extended Platform

V = Volkswagon or Mercedes Vito

A = Adjustable Installation

R = Reverse Model for Right Hand Drive, Front Post B-pillar

A - "Rear Wheel" Roll Stop	G - Pump Module (Power Pack)
B - "Front Wheel" Roll Stop	H - Electric Actuator
C - Platform	I - Handrail
D - "Sliding" Platform Extension	J - Switches
E - Slide Tube (2)	K - Horseshoe
F - Hydraulic Cylinder	L - Header

Lift Accessories



15606A
Hand-Held
Control Station Kit

Included at no charge when specified on
a lift without door operators.
Controls lift functions only.



26430A Six-Touch Remote
Control System **26427A**
Extra Transmitter
for Six-Touch

Controls all lift functions as well as
door operators (if so equipped)
(North American Frequency)



800-4000
Side Slide
Door Operator

18633A
Side Slide
Door Operator
92 and up Ford

Technical Specifications

General Function: Electrohydraulic, power up/gravity down operation

Operation: Hydraulic pump with one lifting cylinder

Control: Module mounted switches, handrail Up/Down/In/Out switches, optional hand-held control and remote control

Hydraulic: Pressure Max. 2,103 psi (145 bar), Fluid is Unavis HVI 26, reservoir is .25 gal (1.0 L)

Construction: Steel structure with powder coat finish

Lift Weight: 245 lbs (111 kg) - 269 lbs (122 kg) (depending on lift model)

Lifting Capacity: 800 lbs (363 kg)

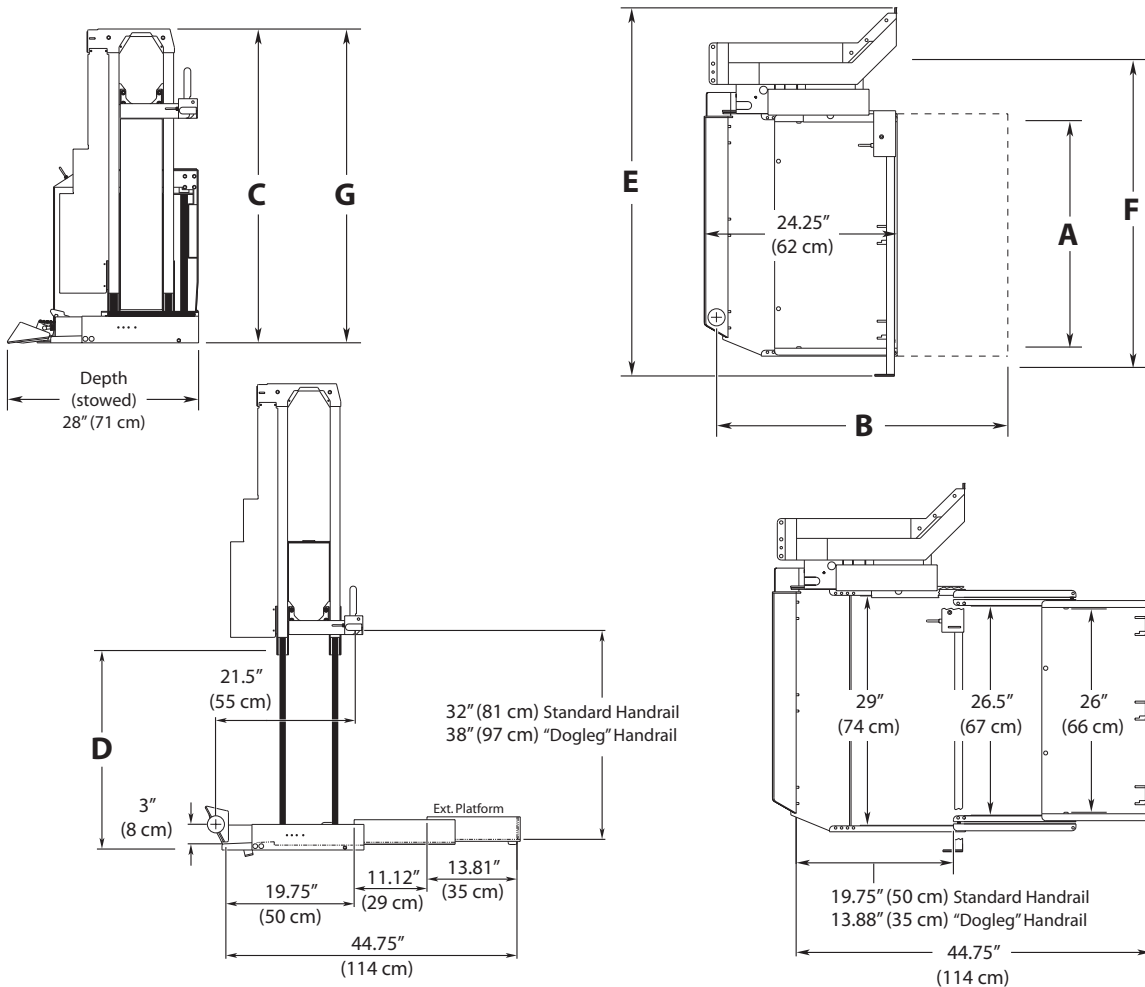
Operating Temperature: 19°F to 149°F (-7°C to 65°C)

Power Supply: 12V DC

Current Consumption: Max. 100A (12V)



Lift Dimensions



All dimensions are for reference only.

L800X Swing-A-Way Series™			A	B	C	D	E	F	G
Lift Model Number	Operation		Clear Platform Width	Clear Platform Length	Overall Lift Height	Max. Floor to Ground	Overall Lift Width	Min. Clear Door Opening Width	Min. Clear Door Opening Height
	User	Attd.							
L800X	X	X	29"(74cm)	36.25"(92cm)	46.25"(117cm)	27"(69cm)	45.88"(117cm)	41"(104cm)	46.5"(118cm)
L800XE	X	X	26"(66cm)	46.25"(117cm)	46.25"(117cm)	27"(69cm)	45.38"(115cm)	41"(104cm)	46.5"(118cm)
L800XV	X	X	29"(74cm)	36.25"(92cm)	46.25"(117cm)	27"(69cm)	45.88"(117cm)	41"(104cm)	46.5"(118cm)
L800XEV	X	X	26"(66cm)	46.25"(117cm)	46.25"(117cm)	27"(69cm)	45.38"(115cm)	41"(104cm)	46.5"(118cm)
L800XVA	X	X	29"(74cm)	36.25"(92cm)	46.25"(117cm)	27"(69cm)	45.88"(117cm)	41"(104cm)	46.5"(118cm)
L800XEVA	X	X	26"(66cm)	46.25"(117cm)	46.25"(117cm)	27"(69cm)	45.38"(115cm)	41"(104cm)	46.5"(118cm)
L800XR	X	X	29"(74cm)	36.25"(92cm)	46.25"(117cm)	27"(69cm)	45.88"(117cm)	41"(104cm)	46.5"(118cm)
L800XRV	X	X	29"(74cm)	36.25"(92cm)	46.25"(117cm)	27"(69cm)	45.88"(117cm)	41"(104cm)	46.5"(118cm)

L800X SWING-A-WAY SERIES™

L800X *Swing-A-Way Series*™ Lift Features



- fully automatic lift, operated by the wheelchair occupant or an attendant
- rotary design that provides easier access in tight parking situations, allowing less clearance between parked vehicles
- wheelchair user enters and exits the lift platform along the side of the vehicle
- folding down handrail allows easy access
- color-coded rocker switches integrated on the lift
- optional operation by remote control
- side sliding door application (B pillar) only
- the telescopic platform extends as the wheelchair enters the platform and retracts when the wheelchair gets off
- most suitable for manual wheelchairs, or rear wheel power wheelchairs - not suitable for front wheel power wheelchairs
- extended platform available for scooters
- handrail for the convenience of the wheelchair occupant while on the platform
- a "dogleg" handrail is provided with the extended platform, providing extra clearance for scooter tillers
- the handrail also acts as a locking mechanism, preventing the platform extension from moving when ambulatory passengers exit vehicle
- hydraulic Automatic Roll Stop (ARS), that will be in the fully up position before the platform leaves the ground
- integrated back-up pump
- designed for use with automatic slide door operator
- durable high-gloss powder coated finish



www.braunability.com/international

ISO 9001:2000

631 West 11th Street, Winamac, IN 46996, USA Phone: +1 574 946 6153 Fax: +1 574 946 4670