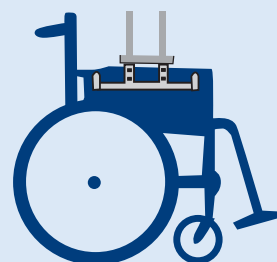
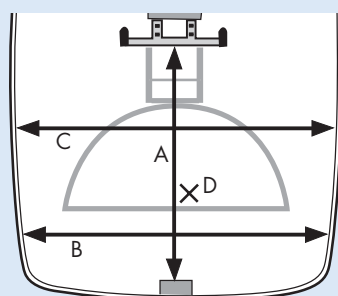
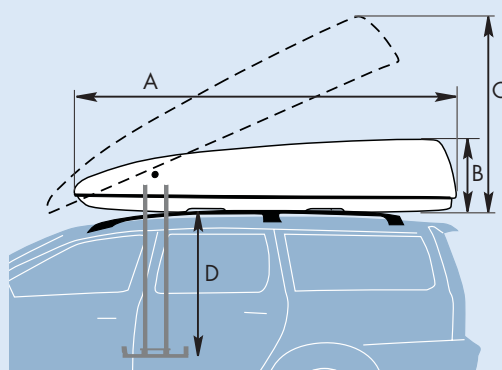




Length (A):.....230 cm  
 Width:.....127 cm  
 Height (B):.....47 cm  
 Height opened (C):.....110 cm  
 Maximum vertical travel from bottom of roof box (D):.....120 cm  
 Weight:.....54 kg  
 Maximum load:.....25 kg  
 Voltage:.....12 V  
 Power consumption with lid closed: 4.5 mA  
 Power consumption with lid opened: 60 mA  
 Power consumption at work:.....2 - 12 A  
 Fuse:.....Automatic fuse 10 A



A) From lifting device to lock box: 82,5 cm  
 B) 114 cm  
 C) 120 cm  
 D) Height from x up to the lid: 35 cm

**ROOF SPIDER is tested according to DIN 75302 and following tests have been made:**

Crash test with a load of 25 kg  
 EMC test (elektromagnetc kompati-  
 bility): 72/245/EEG, ECE R-10

Freeze test by -20° C with hammer impact of 2,5 kg  
 Fire spreadability ISO 11925-2  
 Heat test by +60° C  
 Hinge test with roof box placed up side down

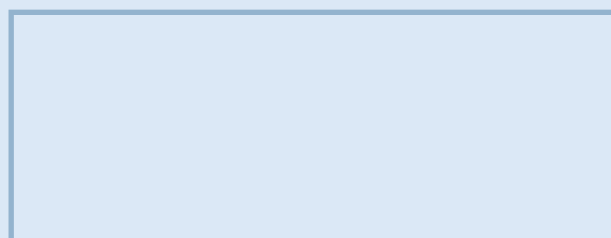


For more information  
[www.autoadapt.com](http://www.autoadapt.com)  
[www.autoadapt.co.uk](http://www.autoadapt.co.uk)



**Autoadapt AB**, Hedeforsvägen 6,  
 S-443 61 Stenkullen, Sweden  
 Tel: +46 (0)302 558 20 Fax: +46 (0)302 558 29  
 E mail: [contact@autoadapt.se](mailto:contact@autoadapt.se) [www.autoadapt.com](http://www.autoadapt.com)

**Autoadapt UK Ltd**, Unit 4, Windsor Industrial Estate,  
 Rupert Street, Aston, B7 4PR Birmingham, UK  
 Phone: 0121 3335170 Fax: 0121 3596194  
 E mail: [contact@autoadapt.co.uk](mailto:contact@autoadapt.co.uk) [www.autoadapt.co.uk](http://www.autoadapt.co.uk)



# ROOF<sup>®</sup>spider

The roof box that takes care of your manual wheelchair



INVENTIONS FOR QUALITY OF LIFE

# ROOF<sup>®</sup>spider

## Loads from either side of the vehicle

Thanks to the fact that ROOF SPIDER can load from either side of the vehicle it doesn't matter if you choose to drive the vehicle or just travel as a passenger. You just press the hand control button corresponding the side on which you are placed.

ROOF SPIDER is designed for foldable manual wheelchairs of maximum 25 kg.

- Loads from either side of the vehicle
- Low weight, 54 kg unloaded
- Low height; 47 cm from roof rack
- Crash tested and CE-marked



## How to load the wheelchair:

Transfer from the wheelchair to the vehicle seat.  
Place the wheelchair in a suitable position for the lifting device.  
Press the hand control button that correspond to the side you are sitting. Now the roof box lid opens and the lifting device is lowered towards the wheelchair.  
Fold the wheelchair with the lifting device pressed in between the sides of the seat.  
Press the hand control button (arrow up) to load the wheelchair.



## Safety

ROOF SPIDER is crash tested with a 25 kg load and has passed tests such as a 2.5 kg hammertest at -20° C, shape permanence at +60° C, resistance to electromagnetic interference, fire resistance etc.  
The product is CE-marked.



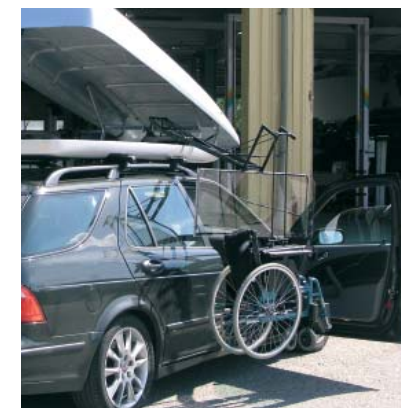
By motor failure the box lid can be manually opened with the emergency tools.  
Option: an emergency cable can be connected to a contact under the dashboard panel to allow operation in case of distribution box failure or hand control failure.

## Comfort

ROOF SPIDER will make you independent of assistance from other people.

With the wheelchair stored in a roof box you won't get your vehicle compartment dirty or your luggage area restricted.

Thanks to the low weight (54 kg unloaded) you have a choice of most vehicle makes and models.  
Bear in mind that the roof box adds 47 cm to the vehicle height above roof rack if you have a garage door height limit to consider.



The wheelchair is being loaded from the right side.